

**INSTRUCTIONS FOR INSTALLING A CARRIAGE ROLLER AND STUD REPLACEMENT  
KIT IN A NATIONAL VENDORS<sup>®</sup>, CROWLINE<sup>®</sup> CABARET 36 ELECTRIC  
CIGARETTE MERCHANDISER**

**CHECK THE PARTS RECEIVED IN THE KIT WITH THE PARTS LIST  
IN THESE INSTRUCTIONS. IF ANY PARTS ARE MISSING, CONTACT  
NATIONAL VENDORS' PARTS DEPARTMENT IMMEDIATELY.**

These instructions cover the procedure for installing a Carriage Roller and Stud Replacement kit in a Cabaret 36 Merchandiser.

Read these instructions carefully and thoroughly before installing the kit. Retain these instructions for part number and installation information.

Carriage Roller and Stud Replacement kit, part number 236-6217, contains the following parts:

Part Number	Description	Quantity
236-6215	Carriage Roller	4
236-6216	Carriage Roller Stud	4
9900-207	No.10-32 Self Locking Nut	4
5580072	Lubricant (1.0 Gram tube)	1
236-6218	Installation Instructions	1
	* * *	

Special requirements: Lubricating Grease

**TO INSTALL THE KIT**

1. Disconnect the Merchandiser Service Cord from the Wall Receptacle.
2. Open the Cabinet Door.
3. Depress the red Latch Lever to unlock the Front and Center Magazines and swing them left to have full access to the Mechanism Assembly.
4. Disconnect the Merchandiser Door Harness from the Receptacle on the left end of the Mechanism Harness Assembly and pull the Door Harness out of the Mechanism Assembly. See Figure 1.
5. Disconnect the Merchandiser Cabinet Harness from the Plug on the right end of the Mechanism Harness Assembly and pull the Cabinet Harness out of the Mechanism Assembly. See Figure 1.
6. Remove two No.10- Self-Tapping Screws from the inside bottom of the Mechanism which attach the Mechanism Assembly to the Center Pan in the Cabinet. See Figure 1.

**WARNING**

**The Mechanism Assembly is a heavy unit. Do not attempt to remove it from the Merchandiser without help. Use two men for this procedure, to prevent possible injury to personnel and damage to equipment.**

7. Using two men, carefully pull the Mechanism Assembly forward, stopping about half way, and close and lock the Front and Center Magazines; then, resume sliding along the guide rails and out of the Cabinet. See Figure 1.

**CAUTION**

**Closing the Front and Center Magazines, especially if they are loaded with merchandise, puts sufficient weight inside the Cabinet preventing possible tip-over of the Merchandiser because of the Mechanism removal.**

8. Remove two attaching Screws and the Magazine Stop from the Right Sidewall of the Delivery Mechanism. See Figure 2.
9. Disconnect the Cam Lever Spring from the right side of the Carriage. See Figure 3.
10. Remove the Spring, Cam Lever, Shoulder Screw and attaching Nut from the Carriage as shown in Figure 3.

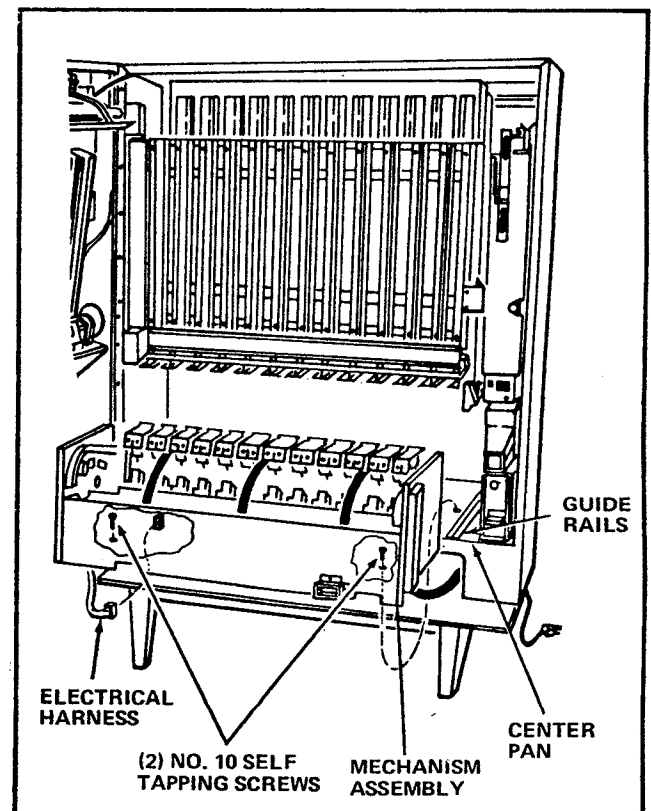


FIGURE 1

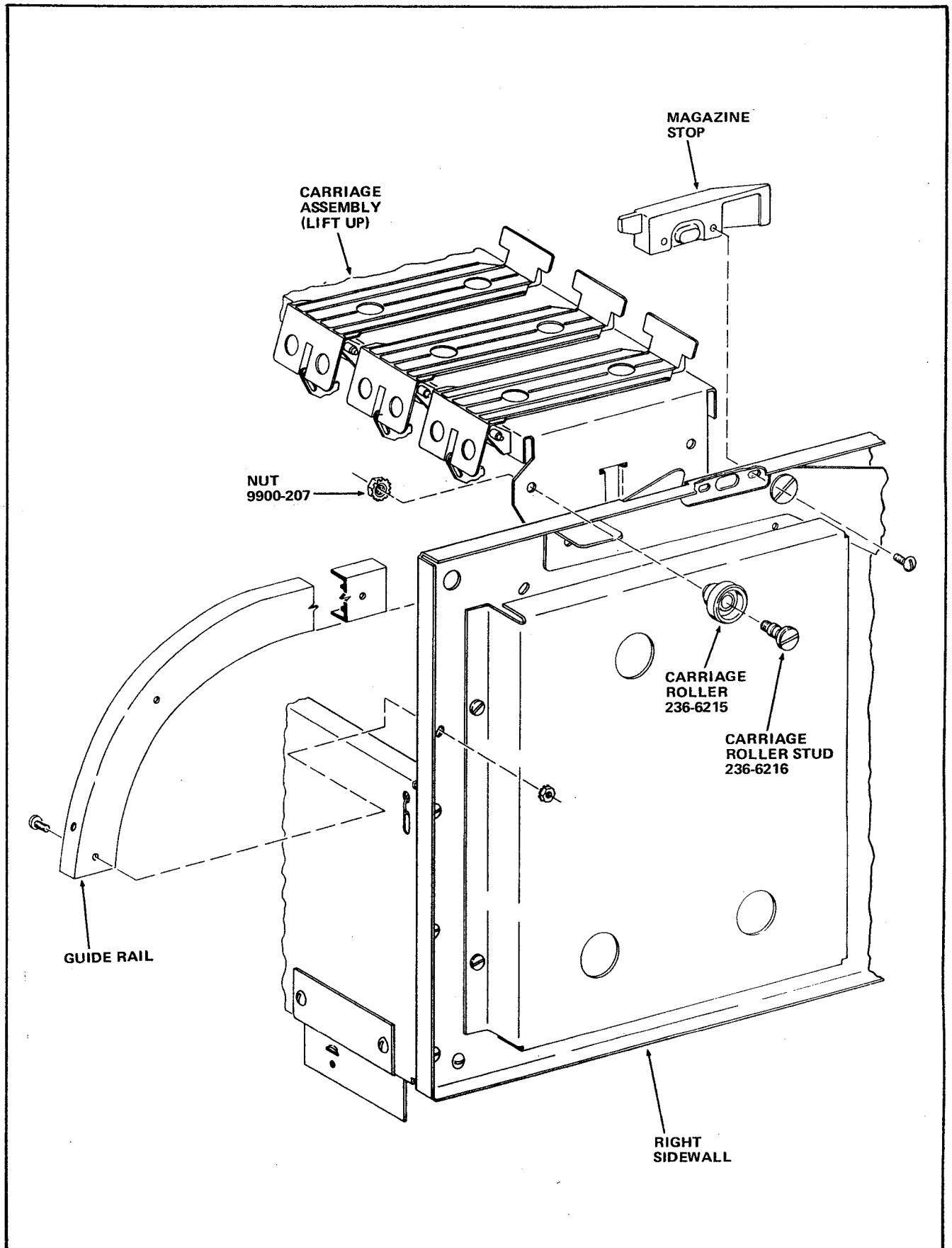
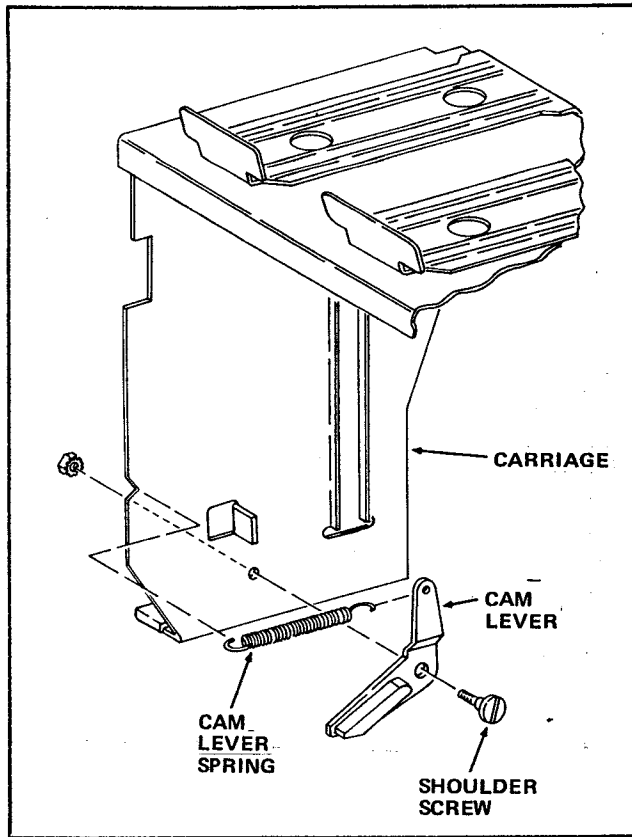


FIGURE 2



**FIGURE 3**

11. Remove five Screws and Nuts attaching the Guide Rail to the Right Sidewall. See Figure 2.
12. Remove the Guide Rail, pulling it out the front of the Delivery Mechanism. See Figure 2.
13. Pull the Carriage Assembly toward the front of the Delivery Mechanism and lift upward to expose the two Carriage Roller Studs on the right end of the Carriage Assembly. See Figure 2.
14. Holding the Carriage Assembly up, remove the two defective Carriage Rollers, Carriage Roller Studs and attaching Nuts from the right end of the Assembly.

**CAUTION**

To prevent excessive wear of the Carriage Rollers be sure to apply lubricant as described in step 15.

15. Apply a light coat of Lubricant, part number 236-6219, to the shank of each replacement Carriage Roller Stud, part number 236-6216. Both parts are included in kit.
16. Again lifting the Carriage Assembly, install two Carriage Roller Studs, part number 236-6216, two Carriage Rollers, part number 236-6215, and two attaching Nuts, part number 9900-207, as shown in Figure 2. All parts are included in the kit.
17. Slide the Guide Rail over the Carriage Rollers and attach to the Right Sidewall with the five Screws and Nuts removed in Step 11. See Figure 2.
18. Install the Spring, Cam Lever, Shoulder Screw and Nut removed in Step 10. See Figure 3.
19. Attach the Cam Lever Spring to the Carriage. See Figure 3.
20. Attach the Magazine Stop to the Right Sidewall with the two Screws removed in Step 8. See Figure 2.
21. Follow the procedure described in Steps 9 through 19 to install the replacement Carriage Rollers, Carriage Roller Studs and Nuts on the left end of the Carriage Assembly.
22. Return the Carriage Assembly to the rear of the Delivery Mechanism.
23. Reverse Steps 7 through 1 to install the Delivery Mechanism in the Merchandiser.
24. Test vend the Merchandiser before returning it to service.